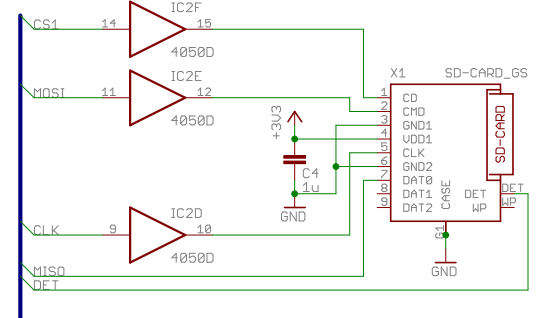
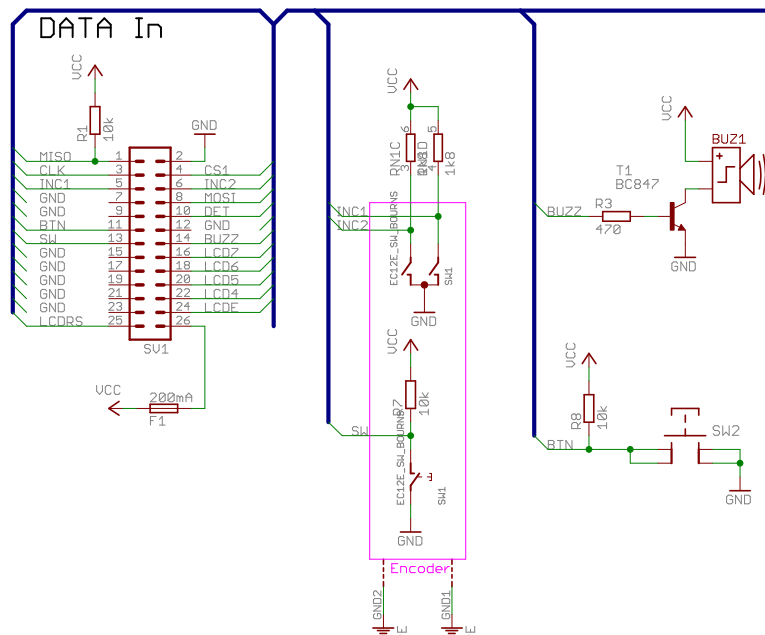
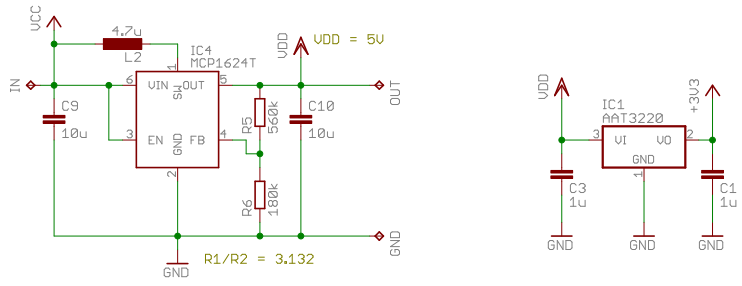
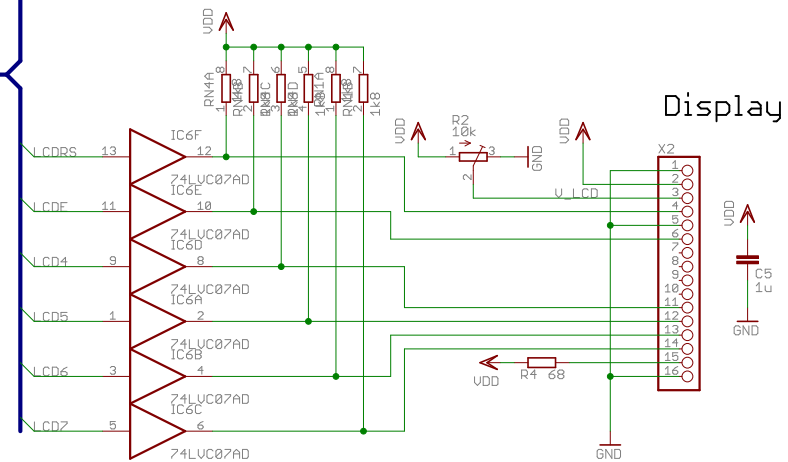


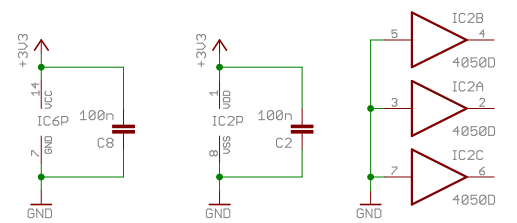
# Voltage Selection



# SD Card



# Display



Copyright 2014, Konrad Meyer - 2PrintBeta  
Licensed via CERN OHL V1.2

ID	DESCRIPTION	MANUFACTURER	PARTNR	COUNT
MEC1	4x20 Char Display	Raystar Optronics	RC2004A-B1W-ESX	1



BAM&DICE-SmartController-V1	
11.06.2015 00:42:49	
Sheet: 1/1	0