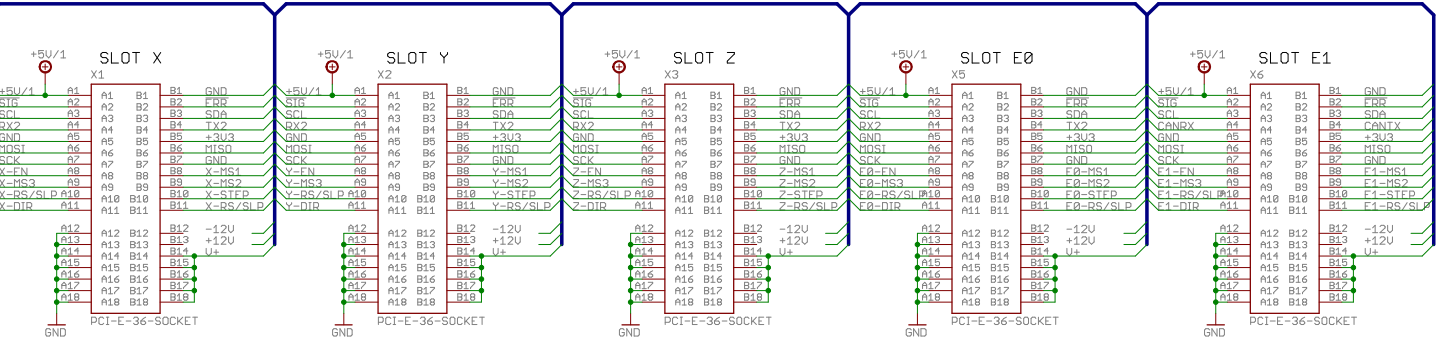
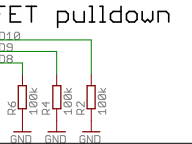
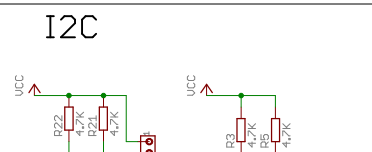
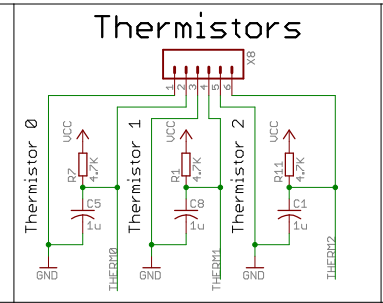
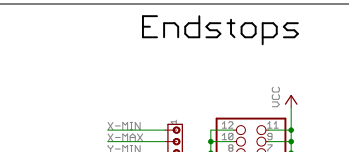
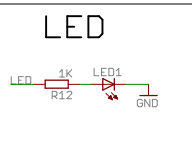


BAM&DICE DUE V1.1 (Arduino DUE)

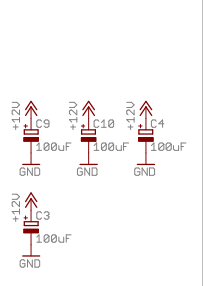
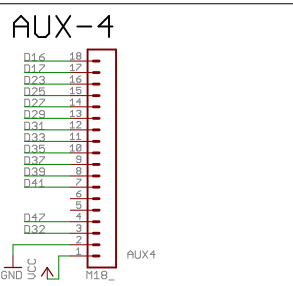
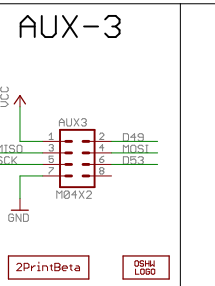
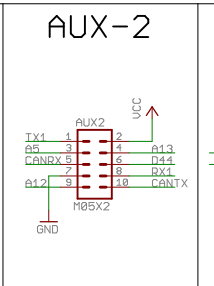
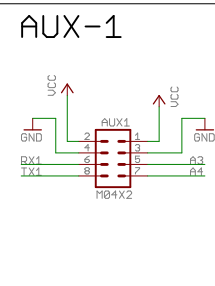
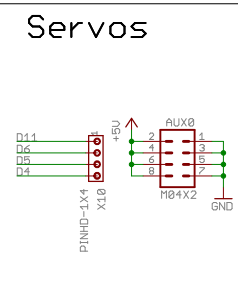
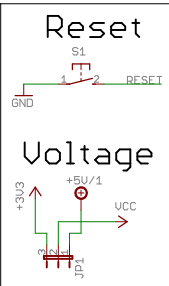
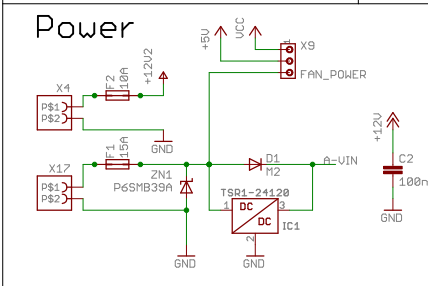
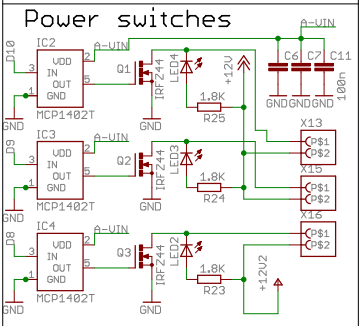
wiki.2printbeta.de/DUE-Shield

RAMPS V1.41- Copyright 2011 Johnny Russell
Transformed by Konrad Meyer, 2014 - 2PrintBeta

GPL v3



For SPI communication use EN-Signals for Chip Select (CS)



ID	DESCRIPTION	MANUFACTURER	PARTNR	COUNT
MEC1	8PIN-HEADER	Connfly	DS1021-1*6SF1-1	5
MEC2	6PIN-HEADER	Connfly	DS1021-1*6SF1-1	1
MEC3	02x18PIN-HEADER	Connfly	DS1021-1*20SF11	2
MEC4	Fuse - 10A	Littelfuse	0297010.WXNU	1
MEC5	Fuse - 15A	Littelfuse	0297015.WXNU	1
MEC6	Jumper 2.54mm	3M	969102-0000-DA	17
MEC7	Heatsink T0282	-	D02	1
MEC8	Screw M3x8	-		1
MEC9	Nut M3	-		1